

# KFT<sup>®</sup> PLATE GAP-TYPE FILTER DN50

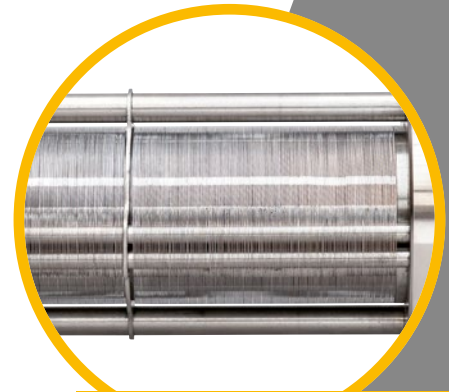
For the filtration of low and high-viscosity media

**Krone**  
Filtertechnik



## MADE IN GERMANY

... guarantees fast delivery 



Internal parts made of stainless steel



Filter head made from V4A

## THE ADVANTAGES OF A KFT<sup>®</sup> GAP-TYPE FILTER

- easy to maintain
- long service life
- can be cleaned during operation
- works without filter aids, thereby eliminating any burden to the environment

When it comes to increasing the service life of machining or process fluids, KFT<sup>®</sup> gap-type filters are a truly expert choice.

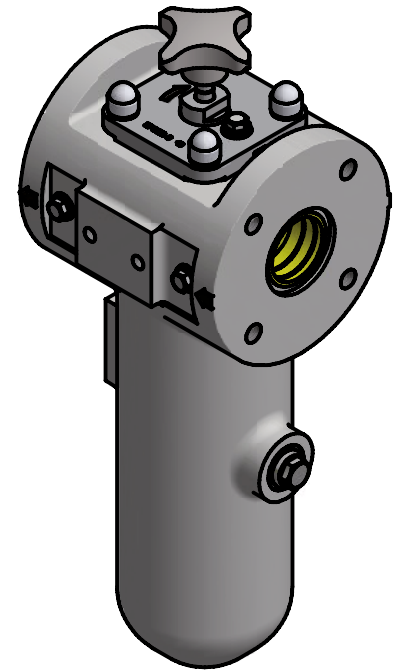
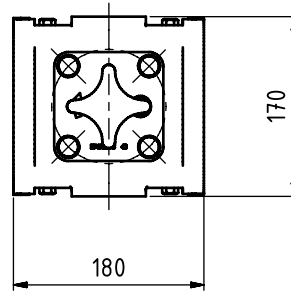
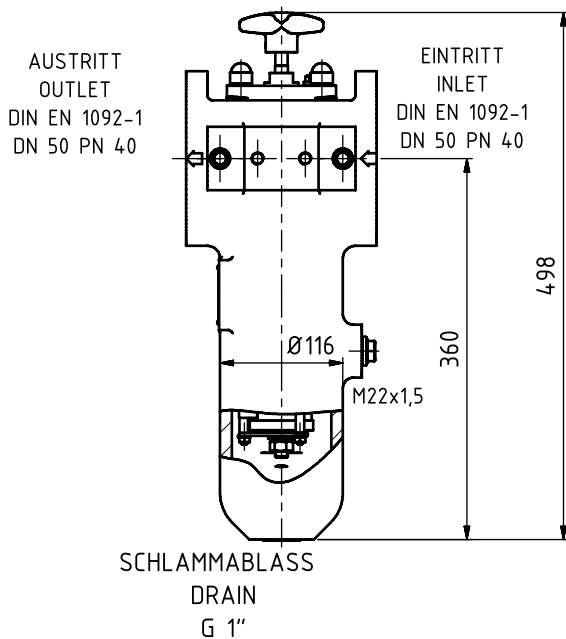


[WWW.KRONE-FILTER.DE](http://WWW.KRONE-FILTER.DE)

**HEAD OFFICE** Krone Filtertechnik GmbH  
Herbert-Ludwig-Str. 12-14 | 28832 Achim, Germany  
Telephone: +49(0)4202.9769-0  
E-mail: [info@krone-filter.de](mailto:info@krone-filter.de)

# KFT® PLATE GAP-TYPE FILTER DN50

## TECHNICAL INFORMATION



## KFT® PLATE GAP-TYPE FILTER DN50

Size	525
Filter fineness (µm)	100/200/400
Volume flow (m³/h) with gap width X = 0.05 mm (50 µm)	5.0 <sup>1)</sup>
Volume flow (m³/h) with gap width X = 0.10 mm (100 µm)	10.0 <sup>1)</sup>
Volume flow (m³/h) with gap width X = 0.20 mm (200 µm)	15.0 <sup>1)</sup>
Max. V (m/sec.), raw side	3.0
Max. operating pressure (bar)	40
Permissible differential pressure (bar)	6
Permissible operating temperature	-10 °C/200 °C <sup>2)</sup>
Grading acc. to DGRL 2014/68/EU	Cat. II
Conformity process acc. to DGRL 2014/68/EU	A2
CE labelling acc. to DGRL	Yes

## OPTIONS

Gear motor (ATEX optional)	230/400 V IP 55
Sludge drainage valve incl. E-drive	G1" electr./magnet.
Control system – optimised for gap-type filter	Siemens Logo T+P
Pressure differential evaluation unit + 2 measuring units	digital, max. 6 bar differential pressure

ORDER NO.	ARTICLE	HOUSING	FILTER HEAD	INT. PARTS
KF-515257x501	KFT®Plate gap-type filter DN50	GGG40	Steel	Stainless steel
KF-515257x504	KFT®Plate gap-type filter DN50	ALU	ALU	Stainless steel
KF-515257x575	KFT®Plate gap-type filter DN50	V4A	V4A	Stainless steel

<sup>1)</sup> The flow specifications apply to fluids with a viscosity of 72 mm²/s (cSt) in cases where there is a flow resistance level (delta p) of 0.2–0.4 bar. This data is applicable for a max. pollution of the medium amounting to 0.5%.

<sup>2)</sup> only GGG40 or V4A housing; in the case of ALU housing, the permissible operating temperature is -10 °C/120 °C